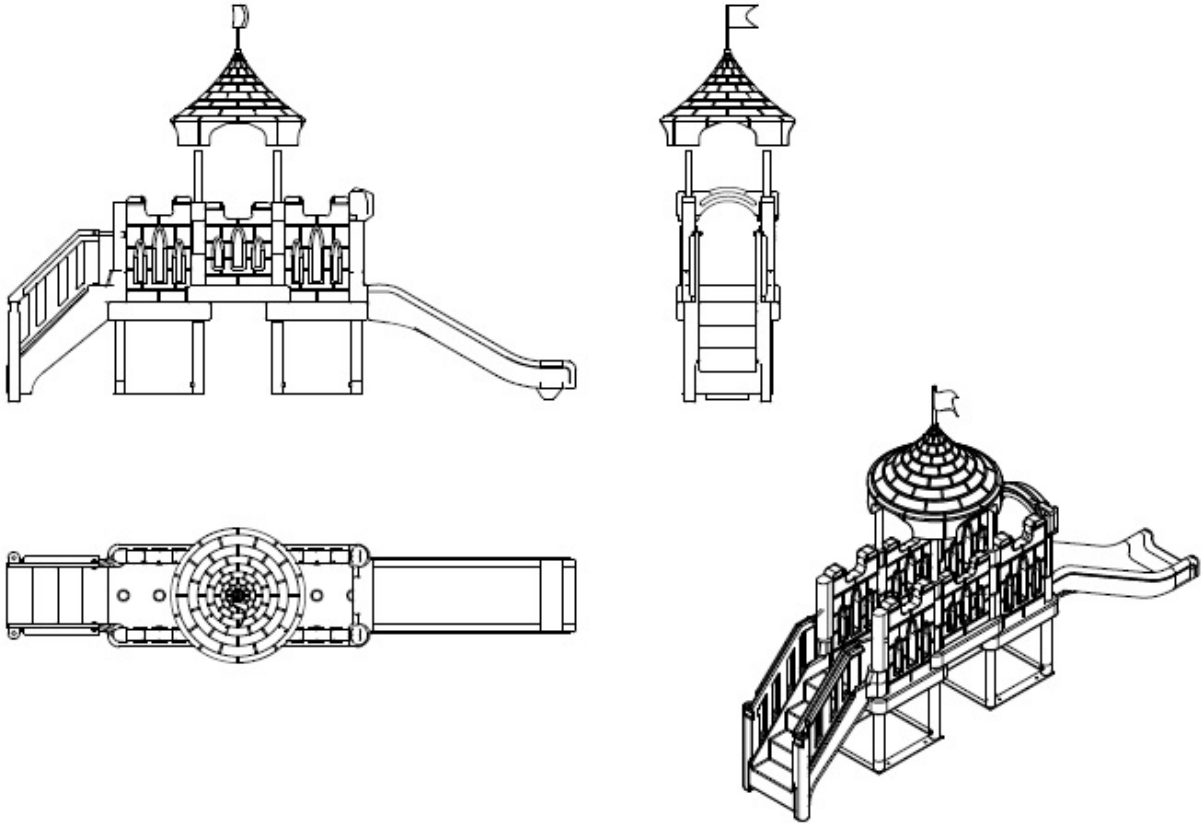


**AFACAN CASTLE 3**

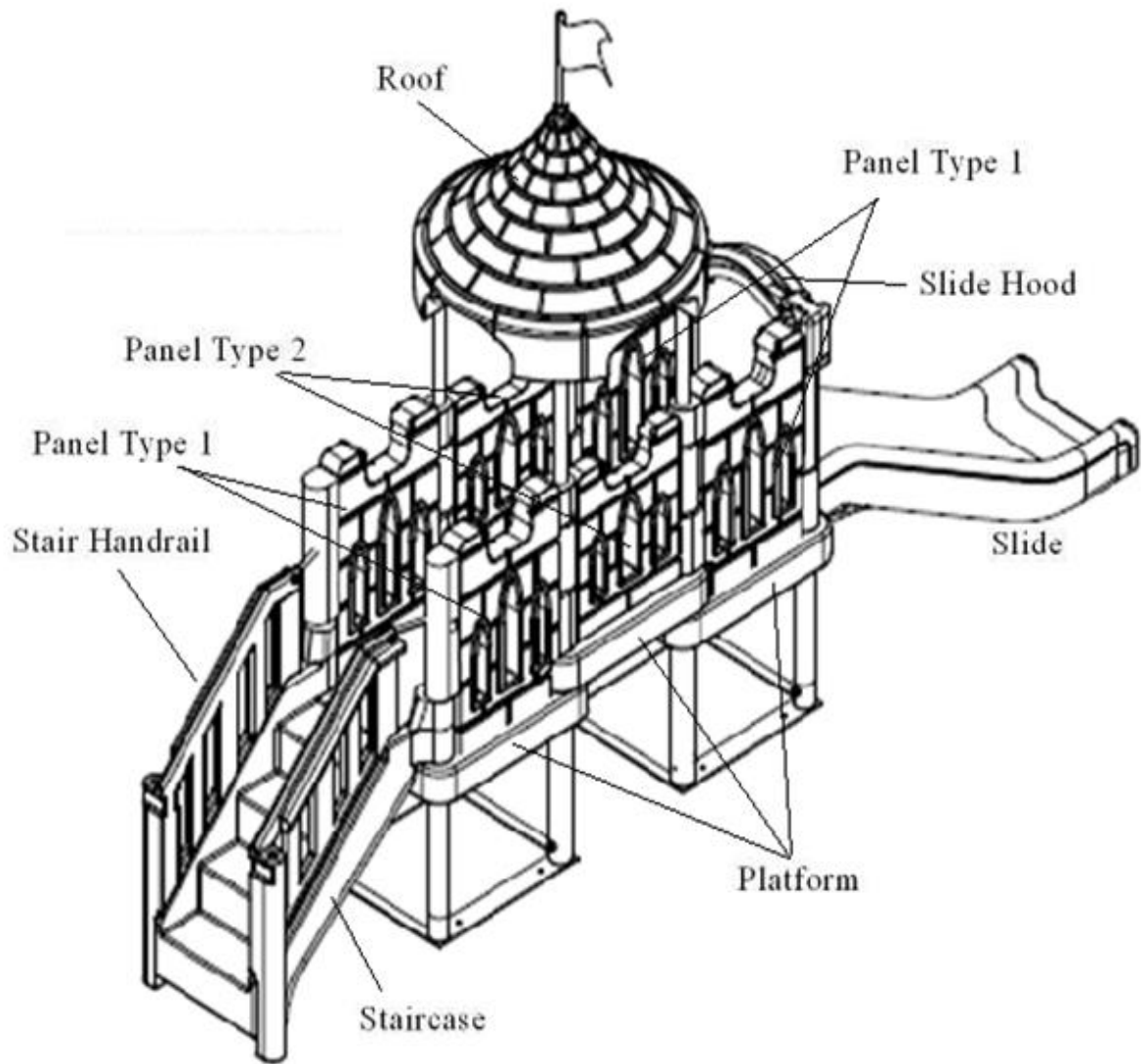
PLEASE RETAIN THIS INSTRUCTION SHEET IN YOUR FILES. IT CONTAINS IMPORTANT REPLACEMENT PARTS INFORMATION. ALL EQUIPMENT SHOULD BE INSTALLED IN ACCORDANCE WITH THESE INSTRUCTIONS.

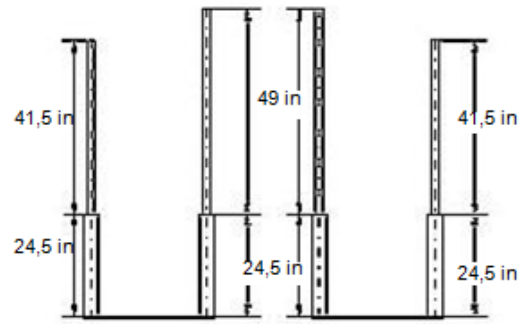
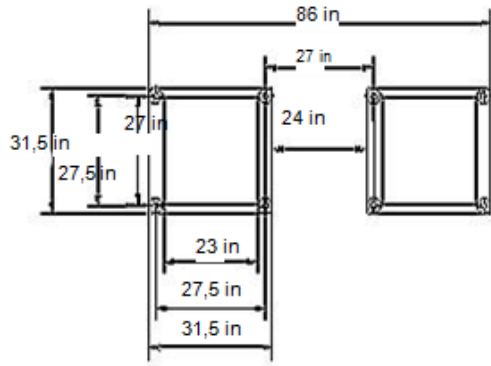
IT IS IMPORTANT TO USE AND MAINTAIN ALL PLAY EQUIPMENT PROPERLY. IMPROPERLY MAINTAINED PLAY EQUIPMENT CAN CAUSE SERIOUS INJURY. PERIODIC INSPECTIONS, MAINTENANCE, REPAIR AND/OR REPLACEMENT OF DAMAGED PARTS IS NECESSARY FOR SAFE OPERATION OF EQUIPMENT AND SAFETY OF USERS.

**RESILIENT SURFACING** SHOULD BE USED UNDER ALL PLAYGROUND EQUIPMENT. THE SUGGESTED USE AREA IS TO BE COVERED BY THESE MATERIALS OUTLINED ON THE PLAN VIEW. NO OTHER PIECE OF EQUIPMENT OR ITS USE AREA MAY ENCROACH ON THIS USE AREA

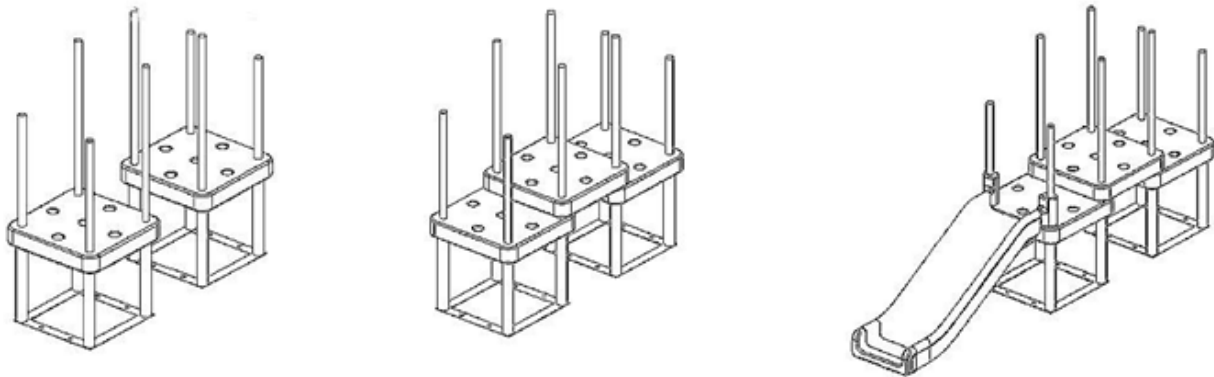


PACKING LIST	
QTY	DESCRIPTION
2	MAIN FREMA 4 PANEL TYPE 1
3	PLATFORMS 2 PANEL TYPE 2
1	STEPS
2	HANDRAIL
1	SLIDE GUARD
1	SLIDE
1	ROOF
1	BRIDGE HANDRAILS
TOTAL: 12 PIECES ON 1 PALLED	
WEIGHT: 526 Lb	
CLASS 70	

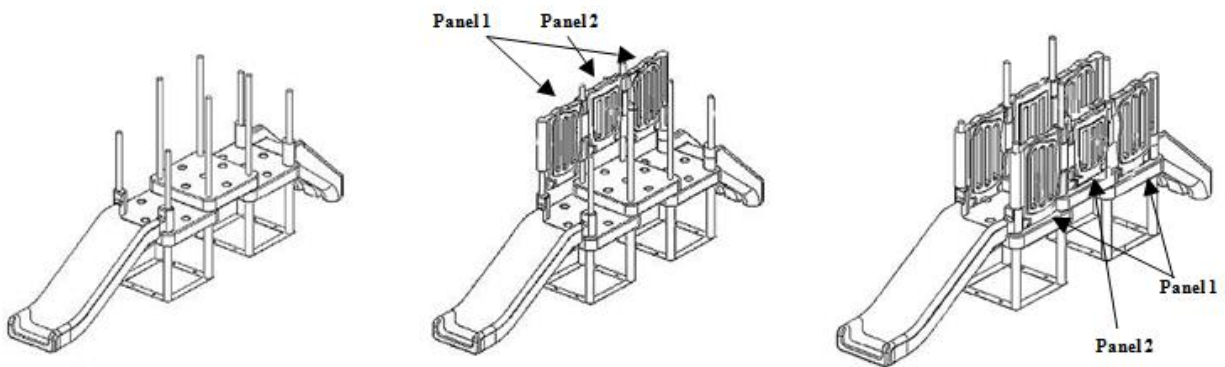


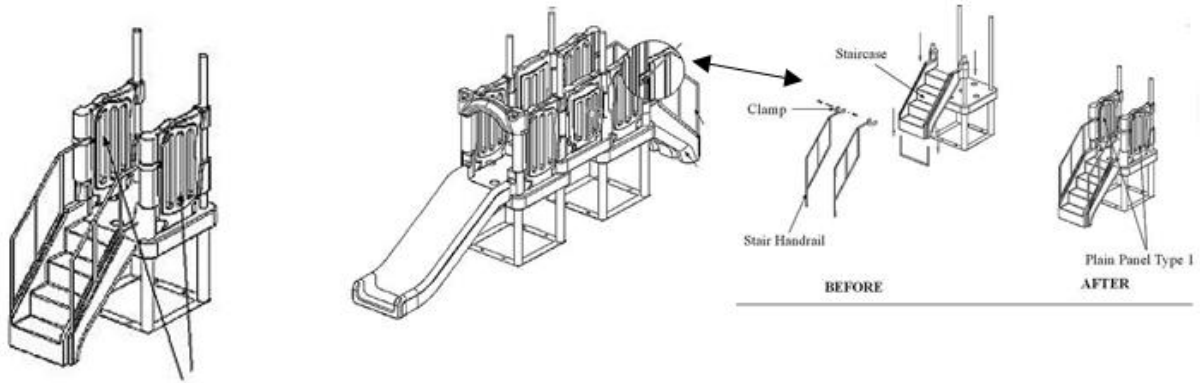


**Situate main frames so that the longer posts face inside and the shorter posts are outside. Stack components over the posts as shown below.**

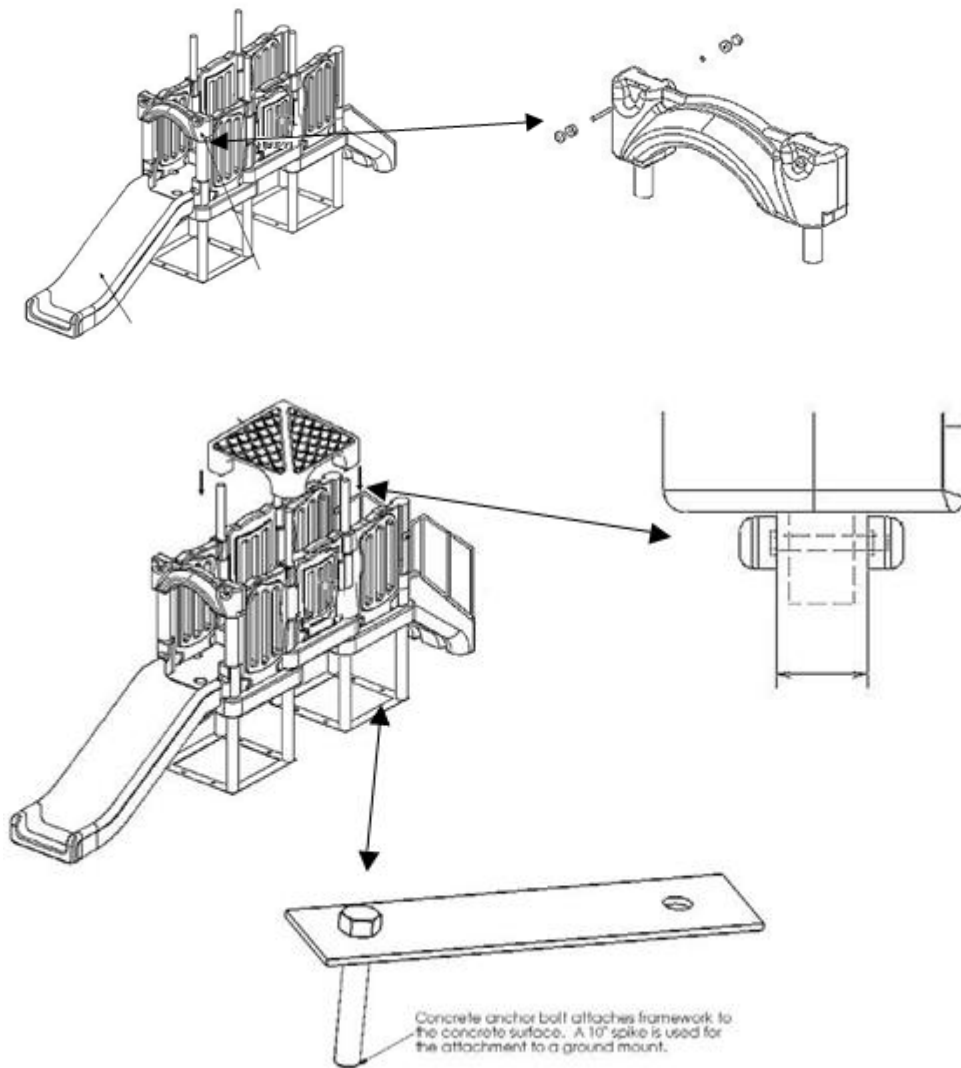


**Align panels 1 and panel 2, hold them together, then slide them over the posts. On the opposite side, align panels 1 with the panel 2 and slide them over the posts together.**





**Drill 3/8" holes through posts, slide guards, and protrusions of roof that are inserted into tops of posts. Attach slide guards and roof with hardware provided.**



**Secure main structure to solid surface using anchor bolts, or secure structure to ground using 0,47 x 0,98in spikes. (Not provided)**